

R08IB3S-VMU1

8.4" Intel® Celeron® N2930 G-WIN Vehicle Mount Panel PC



KEY FEATURES

- Intel® Celeron® Bay Trail N2930 1.83GHz Processor Fanless Design
- High Quality 8.4" Panel, 800 x 600 resolution
- Front IP65 Dust / water resistant Protection (Except I/O parts)
- Aluminum Housing with Anti-Corrosion Treatments
- Anti-Shock and Vibration Standard according to MIL-STD-810F/G
- 5 Wire Resistive Touchscreen / Anti-Reflection Protection Glass (Optional)
- 802.11b/g Wireless LAN with Antenna (Optional)
- Wide Range 9 to 36V DC Input with isolation
- Optional 6-60V DC Input, and Optional for Ignition On/Off delay
- Design to meet EN50155

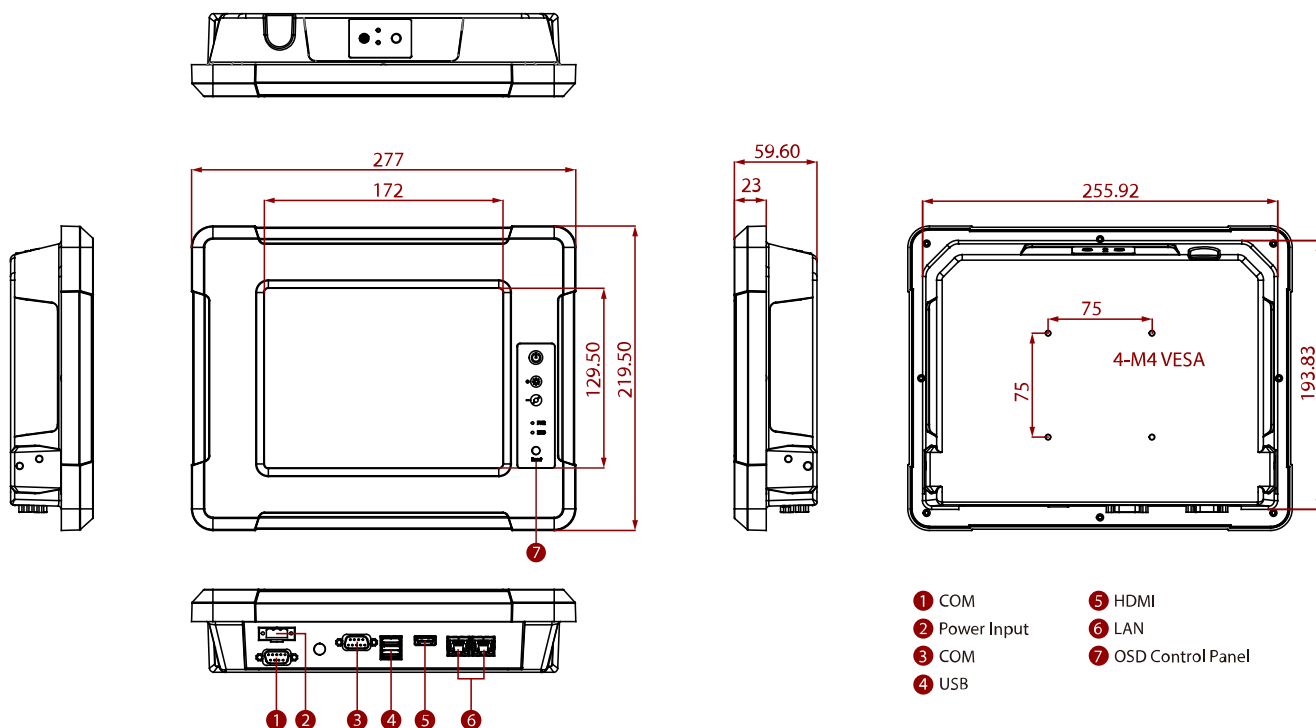


SPECIFICATIONS

System Specification			
Processor	Intel® Celeron® N2930 (2M Cache, up to 2.16 GHz)	Memory	1 x SO-DIMM, DDR3L 1600 MHz, 4GB 8GB (Optional)
Storage	1 x mSATA SSD 64GB. mSATA SSD up to 512GB. (Optional)	Ethernet controller	2 x Intel® Ethernet Controller I210-AT
Operating System	Windows 7 Embedded Systems (Optional) Windows 10 IoT Enterprise (Optional) Linux Ubuntu 18.04 (Optional)	WLAN	Support (Optional)
BT	Support (Optional)		
Display			
Resolution	800x600	Size	8.4 inches
Contrast Ratio	600:1	Panel Brightness	600 nits
View Angles	75,75,60,70	Active Area	170.4x127.8 mm
Touch / Glass	Resistive Touch Screen Protection Glass Without Touch Function (Optional)		
Mechanical			
Dimension	277 x 219.5 x 59.7 mm	Mounting	VESA Mount Yoke Mount
Enclosure	Aluminum Housing	Cooling System	Fanless design
Environment			
Operating Humidity	10% to 90% (non-condensing)	Operating Temperature	-10~60°C
Storage Temperature	-30~70°C	Shock	Ignore MIL-STD-810G Method 516.6 (Optional)
Vibration	MIL-STD-810G Method 514.6	IP rating	Front IP65
Certification			
Certification	CE, FCC		
IO Ports			

Power Input	1 x 9~36V DC, 3-Pin Terminal Block	USB Port	1 x USB3.0 (Type-A) 1 x USB2.0 (Type-A)
Serial Port	1 x RS232/422/485 (Default RS232) 1 x RS232	Video	1 x HDMI 1.4 (Optional)
Expansion Port	1 x mPCIe slot(for half size Wifi module)	LAN	2 x Giga LAN RJ45 Connector
Indicator	1 x LED Indicator for power 1 x LED Indicator for storage		
Control			
Button	1 x Power Button 1 x Reset Button 1 x Brightness Up button 1 x Brightness Down button		
Accessory			
Accessory	Open Wire Cable with terminal block connector Driver CD & Manual VESA screws	Optional Accessory	Yoke mount stand (Optional) 100~240V AC to DC Adapter with power cord (Optional)

DIMENSIONS UNIT:MM



NOTE

1. This is a simplified drawing and some components are not marked in detail.
2. Windows 10 operating system requires installing a new version of BIOS and OS image.
3. Windows 7 does not support the TPM 2.0 function.
4. Please contact our sales representative if you need further product information.
5. All specifications are subject to change without prior notice.
6. The product shown in this datasheet is a standard model. For diagrams that contain customized or optional I/O, please contact the Winmate Sales Team for more information.